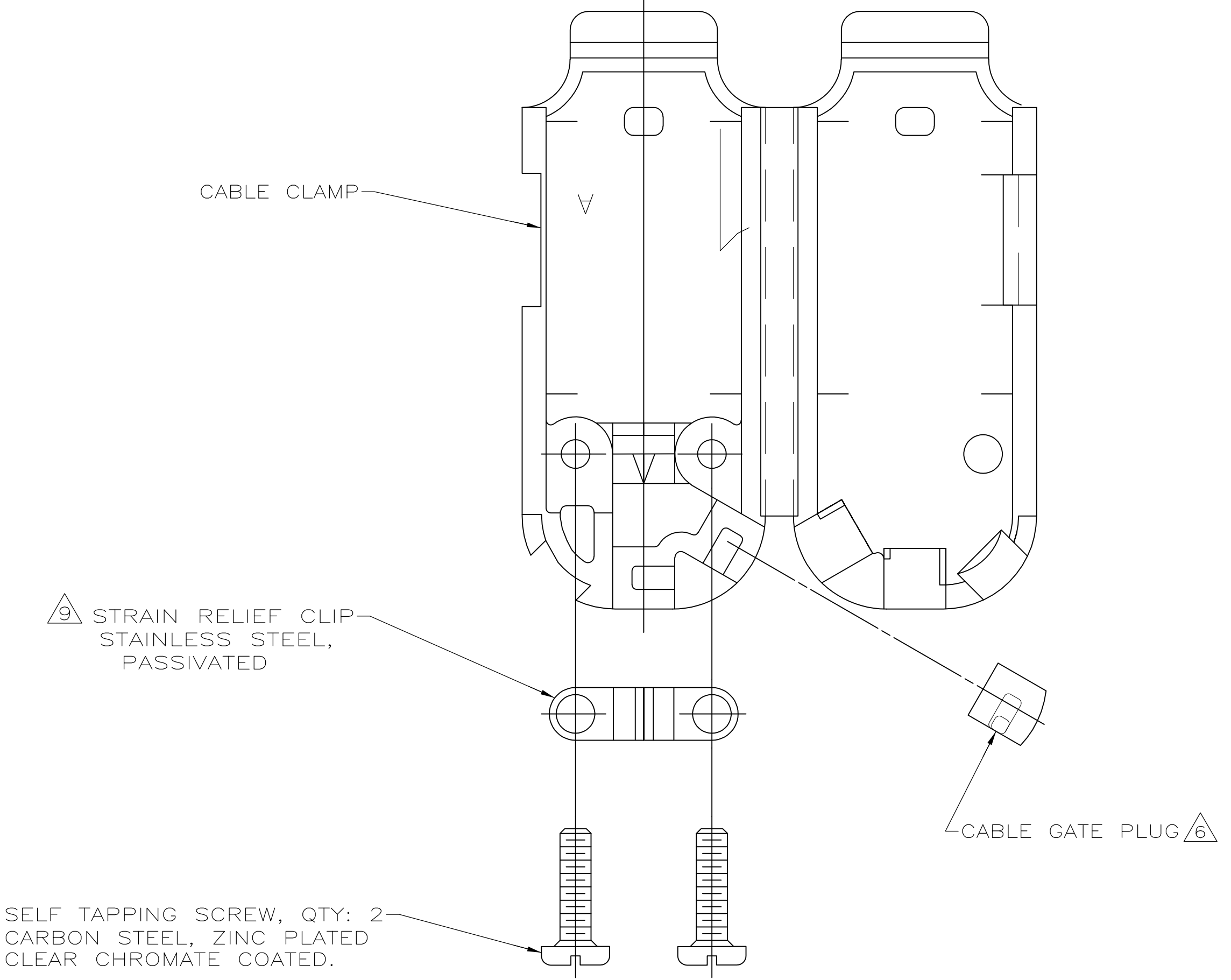
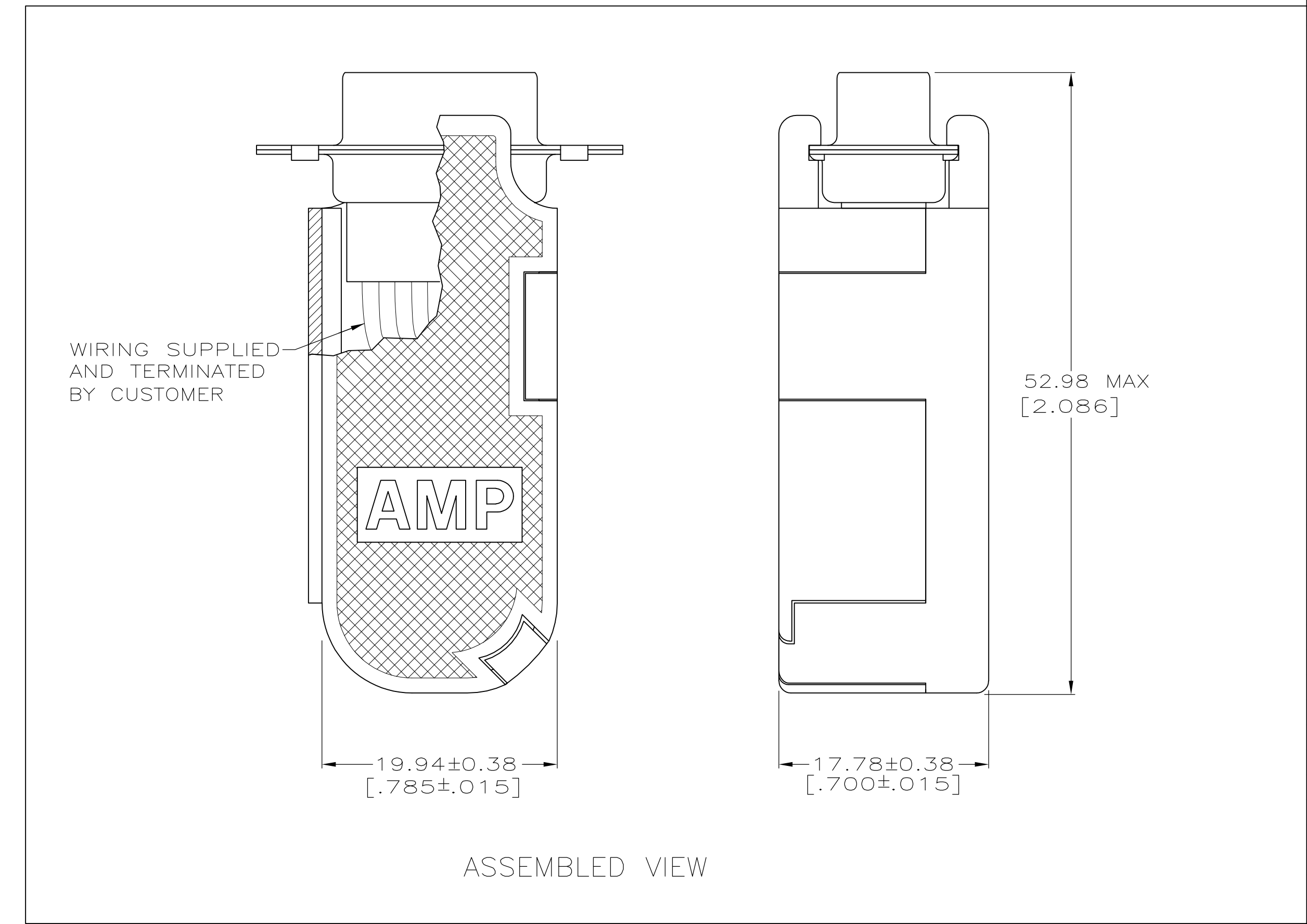
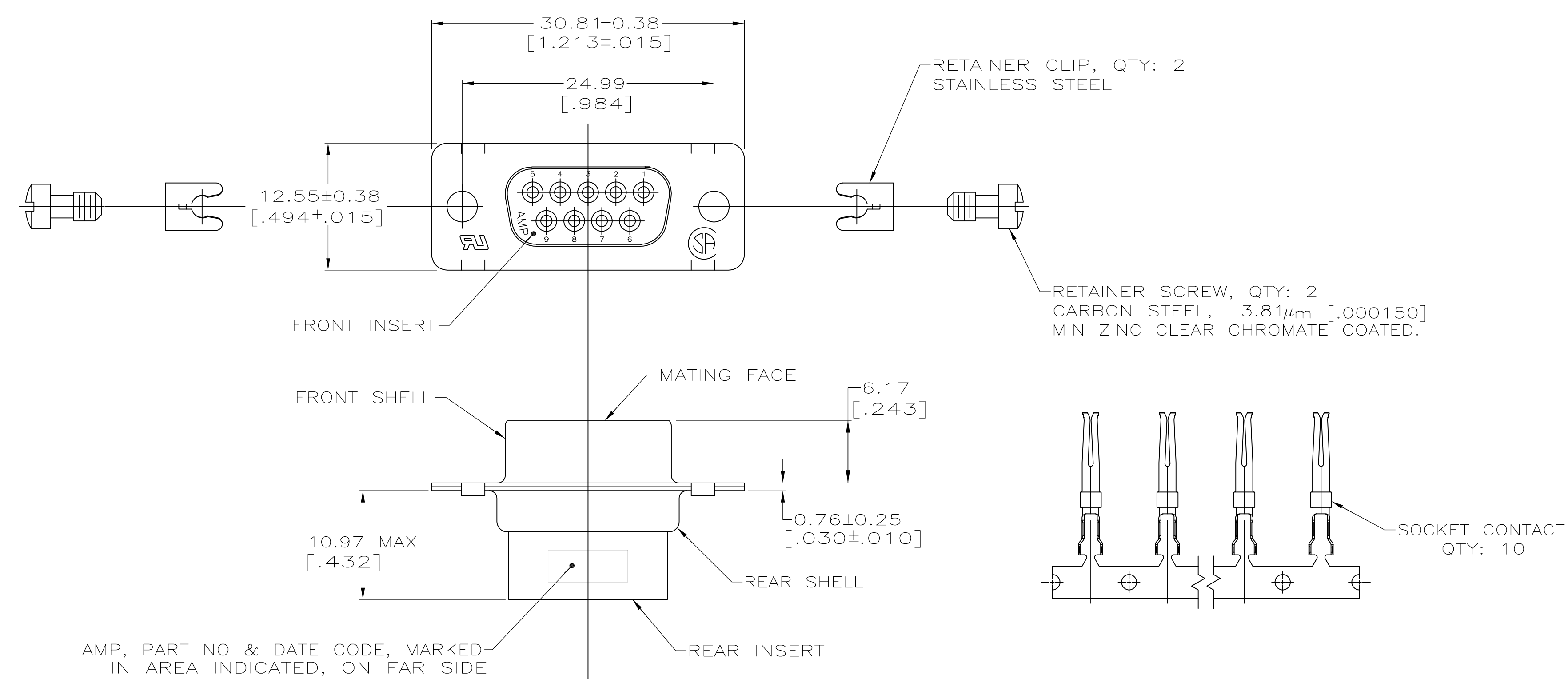


LOC		DIST		REVISIONS			
P	LTR	DESCRIPTION	DATE	DMN	APVD		
A1		REVISED PER ECO-11-004835	11MAR11	RK	HMR		



1. CONTACTS ACCEPT 20-24 AWG RANGE.
- △ INSERTS: NYLON, GLASS FILLED, UL 94V-0 RATED, BLACK.
- △ CABLE CLAMPS: POLYPROPYLENE, BLACK
- △ CONTACTS: PHOSPHOR BRONZE.
- △ SHELLS: CARBON STEEL.
- △ CABLE GATE PLUG TO BE PLACED IN CABLE EXIT NOT BEING USED.
- △ CONTACTS: GOLD FLASH FOR A LENGTH OF 2.54[.100] MIN FROM MATING END, 2.54µm[.000100] MIN TIN ON OPPOSITE END FOR A LENGTH OF 4.06 [.160] MIN FROM END OF INSULATION BARREL, BOTH OVER 0.76µm[.000030] MIN NICKEL ON ENTIRE CONTACT.
- △ SHELLS: 5.08µm[.000200] MIN TIN OVER 2.54µm[.000100] MIN COPPER.
- △ STRAIN RELIEF CLIP CAN BE REVERSED FOR PROPER INSTALLATION, DEPENDING ON SIZE OF CABLE DIAMETER.
10. CABLE DIAMETER RANGE = 1.91-6.35 [.075-.250].

SELF TAPPING SCREW, QTY: 2
CARBON STEEL, ZINC PLATED
CLEAR CHROMATE COATED.

749812-7
PART NO

THIS DRAWING IS A CONTROLLED DOCUMENT.		DIN J. REITZEL 1AUG03	STE TE Connectivity	
DIMENSIONS: mm [INCHES]		CHK S. BOLASH 1AUG03	NAME M. WAMSLEY 1AUG03	
TOLERANCES UNLESS OTHERWISE SPECIFIED:		PRODUCT SPEC 108-40005		
0. PLC ± -		APPLICATION SPEC 114-40030		
1. PLC ± ± 0.13[.005]		SIZE A1	CAGE CODE 00779	DRAWING NO 749812-7
2. PLC ± ± -		WEIGHT -	RESTRICTED TO -	
3. PLC ± ± -		CUSTOMER DRAWING		
4. PLC ANGLES ± ± -		SCALE 2:1	SHEET 1 OF 1	REV A1